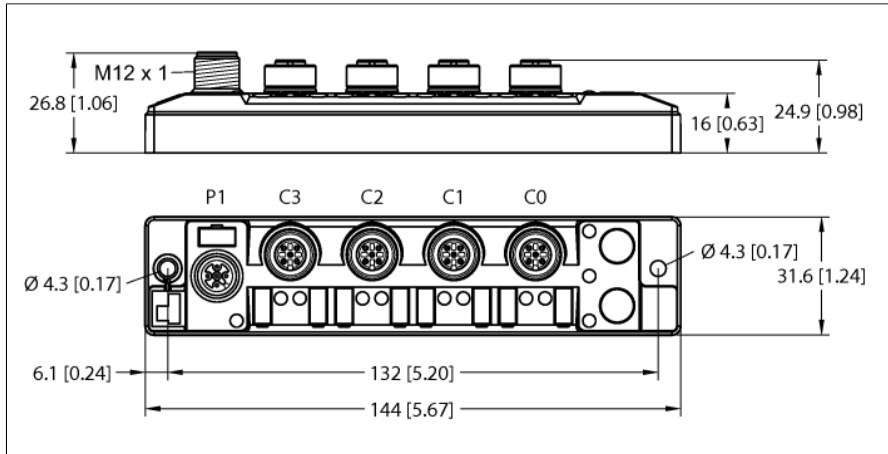


I/O Hub for Connection of Digital Signals to IO-Link Master

8 Universal Digital Channels, 4 M12 Ports

TBIL-S4-8DXP



- Glass fiber reinforced housing
- Shock and vibration tested
- Fully potted module electronics
- Protection classes IP65, IP67, IP69K

Type	TBIL-S4-8DXP
ID	100002596

Supply	
Supply voltage	24 VDC
Admissible range	18...30 VDC
Operating current	120 mA
Sensor/actuator supply	Class A supply from V1 Short-circuit proof, 4 A per port

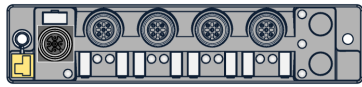
Digital inputs	
Number of channels	8
Connectivity inputs	M12
Type of input diagnostics	Channel diagnostics
Low-level signal voltage	-3...5 VDC (EN 61131-2, type 1 and 3)
High level signal voltage	11...30 VDC (EN 61131-2, type 1 and 3)
Input delay	0.010 ms
Sensor supply	0.5A
Max. input current	15 mA

Digital outputs	
Number of channels	8
Connectivity outputs	M12
Output type	PNP
Type of output diagnostics	Channel diagnostics
Output current per channel	0.5 A
Output delay	0.35 ms
Load type	Resistive, inductive, lamp load
Short-circuit protection	yes
Electrical isolation	500 VDC

IO-Link	
Connectivity IO-Link	1 × M12
IO-Link specification	V 1.1
IO-Link port type	Class A
Frame type	2,6
Transmission rate	COM 2/38.4 kbps
Programming	FDT/DTM

Standard/Directive conformity	
Vibration test	Acc. to IEC 60068-2-6
Shock test	acc. to IEC 60068-2-27
Approvals and certificates	CE UV-resistant acc. to DIN EN ISO 4892-2A (2013)
UL Certificate	cULus LISTED 21 W2, Encl.type 1 IND.CONT.EQ.
General Information	
Dimensions (W x L x H)	32 x 144.3 x 32 mm
Ambient temperature	-40...+70 °C
Storage temperature	-40...+85 °C
Altitude	Max. 5000 m
Protection class	IP65 IP67 IP69K
MTTF	422 years acc. to SN 29500 (Ed. 99) 20 °C
Housing material	PA6-GF30
Housing color	Black
Mounting	2 mounting holes, Ø 4.3 mm

Pin configuration and wiring diagrams

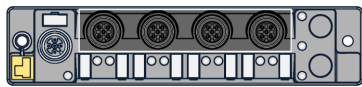
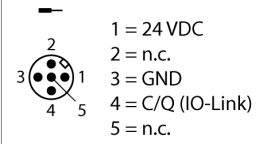


Note

Suitable **IO-Link cables** (Excerpt):
 2m: RKC4T-2-RSC4T/TXL (Ident. no. 6625604)
 5 m: RKC4T-5-RSC4T/TXL (Ident. no. 6625730)
 Further lengths and variants in the product catalog or on request

Suitable **IO-Link masters** (Excerpt):
 BL20-E-4IOL (ID number 6827385)
 BL67-4IOL (ID number 6827386)
 TBEN-S2-4IOL (ID number 6814024)
 SDPX-IOL4-0001 (ID number 6825480)
 Further types in the product catalog or on request

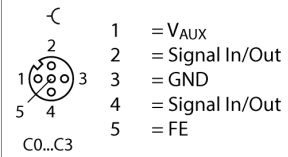
M12 × 1 IO-Link



Note

Suitable **Sensor supply cables** (Excerpt):
 2m: RSC4.4T-2/TXL Ident. no. (6625527)
 5 m: RSC4.4T-5/TXL Ident. no. (6625528)
 Further lengths and variants in the product catalog or on request

M12 × 1 I/O port



Module LED status

LED indicator	Color	Status	Description
IO-Link	Green	OFF	Power off
		Flashing	IO-Link communication OK, valid process data is being sent or received
	Red	ON	IO-Link communication or module error
		Flashing	IO-Link communication OK, invalid process data or diagnosis enabled

I/O LED Status

LED indicator	Color	Status	Description
Cx – Cx	Green	ON	Input or output active
		Flashing	Power overload at the corresponding port. Both port LEDs are flashing.
	Red	ON	Output active with overload/short circuit
		OFF	Input or output inactive

Cx = Port No.