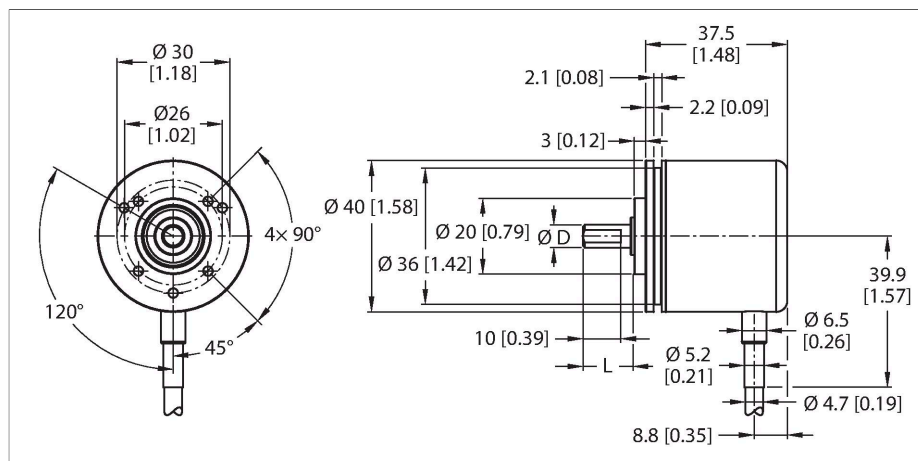


REI-E-111T6C-4A600-C

Incremental Encoder

Efficiency Line



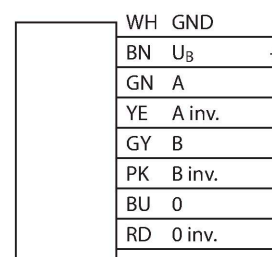
Features

- Synchro/clamping flange, Ø 40 mm
- Solid shaft, Ø 6 mm × 12.5 mm
- Optical measuring principle
- Shaft material: stainless steel
- Protection class IP64 on housing and shaft side
- -20...+70 °C
- Max. 4500 rpm
- 5 VDC
- RS422/TTL invertible
- Pulse frequency max. 300 kHz
- Cable connection
- 600 pulses per revolution

Technical data

Type	REI-E-111T6C-4A600-C
ID	100011978
Measuring principle	Optical
General data	
Max. rotational speed	4500 rpm
Moment of inertia of the rotor	$0.2 \times 10^{-5} \text{ kgm}^2$
Starting torque	< 0.05 Nm
Output type	Incremental
Resolution incremental	600 ppr
Electrical data	
Operating voltage U_B	5 VDC
No-load current	≤ 90 mA
Output current	≤ 20 mA
Short-circuit protection	yes
Wire break/reverse polarity protection	no
Pulse frequency max.	300 kHz
Signal level high	min. 2.5 V
Signal level low	max. 0.5 V
Output function	RS422/TTL, invertable
Mechanical data	
Flange type	Synchro/clamping flange
Flange diameter	Ø 40 mm
Shaft Type	Solid shaft
Shaft diameter D (mm)	6
Shaft Length L [mm]	12.5
Shaft material	Stainless steel

Wiring diagram

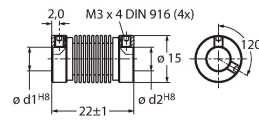
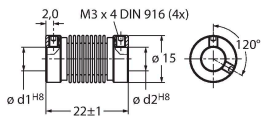


Technical data

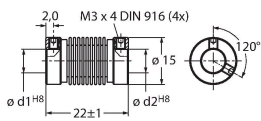
Housing material	Aluminium
Electrical connection	Cable
	radial
cable length	2 m
Axial shaft load	20 N
Radial shaft load	40 N
Environmental conditions	
Ambient temperature	-20...+70 °C
Vibration resistance (EN 60068-2-6)	100 m/s ² , 55...2000 Hz
Shock resistance (EN 60068-2-27)	1000 m/s ² , 6 ms
Protection class	IP64
Protection class shaft	IP64

Accessories

RCS-15-08-06	1545361	RCS-15-06-06	1545362
Bellows coupling, outer diameter: 15 mm, bore diameter: 8 mm/6 mm		Bellows coupling, outer diameter: 15 mm, bore diameter: 6 mm/6 mm	



RCS-15-06-04	1545363
Bellows coupling, outer diameter: 15 mm, bore diameter: 6 mm/4 mm	



Accessories

Dimension drawing	Type	ID	
	RA-SAB-5-20	100038292	Spring arm for small incremental encoders with a 36.5-mm and 40-mm flange; recommended contact pressure 5 N; maximum contact pressure 20 N

Dimension drawing	Type	ID	
	RA-MW-200-5.5-DK1-6	100038295	Aluminum measuring wheel (cross knurled) for encoders; circumference 0.2 m, width 5.5 mm, D = 6 mm
	RA-MW-200-6.5-PS1-6	100038296	Aluminum measuring wheel (smooth PU) for encoders; circumference 0.2 m, width 6.5 mm, D = 6 mm
	RA-MW-200-5.5-OR1-6	100038298	Aluminum measuring wheel (O-ring) for encoders; circumference 0.2 m, width 5.5 mm, D = 6 mm
	RA-MW-B0-5.5-DK1-6	100038299	Aluminum measuring wheel (cross knurled) for encoders; circumference 6", width 5.5 mm, D = 6 mm
	RA-MW-B0-6.5-PS1-6	100038300	Aluminum measuring wheel (smooth PU) for encoders; circumference 6", width 6.5 mm, D = 6 mm
	RA-MW-B0-5.5-OR1-6	100038301	Aluminum measuring wheel (O-ring) for encoders; circumference 6", width 5.5 mm, D = 6 mm