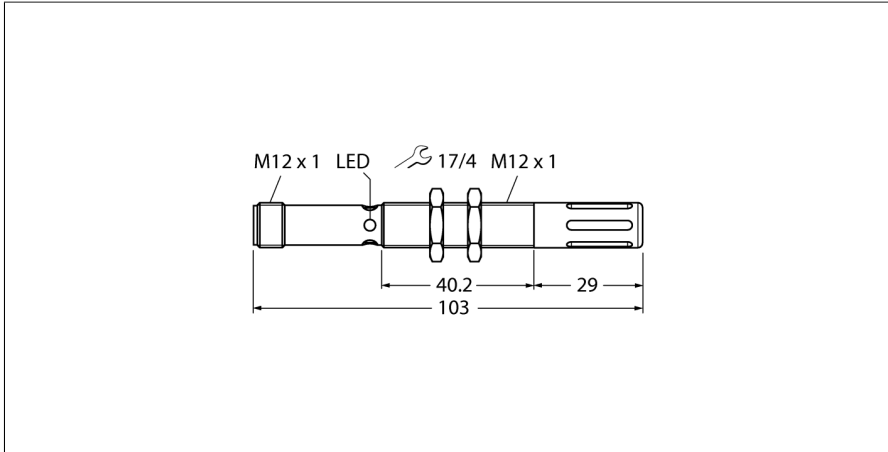


Temperature and Humidity Sensor With Serial Interface For Connecting to a DX80 Radio Node M12FTH4Q

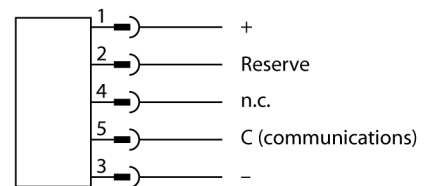


Type	M12FTH4Q
ID	3025895
Wireless data	
Function	Temperature/humidity sensor
Device type	Sensor
I/O data	
Communication protocol	1-wire-serial
Electrical data	
Operating voltage	3.6...5.5 VDC
Mechanical data	
Design	Tube, M12FTH
Housing material	Metal, Grey
Electrical connection	Connector, M12 x 1
Antenna connection	No radio participant
Ambient temperature	-40...+85 °C
Relative humidity	0...100%
Protection class	IP67

Tests/approvals

- Robust metal housing
- Ambient temperature: -40...+85 °C
- Protection class IP67
- Relative humidity: 0...100 %
- Resolution: 0.1 %
- Temperature measuring range: -40...+85 °C
- Resolution: 0.1 °C
- Operating voltage: 3.6...5.5 VDC
- Serial interface to connect a DX80 radio participant

Wiring Diagram



Functional principle

This sensor is especially designed for supply via FlexPower node. It features a lower power consumption and a short warm-up period.