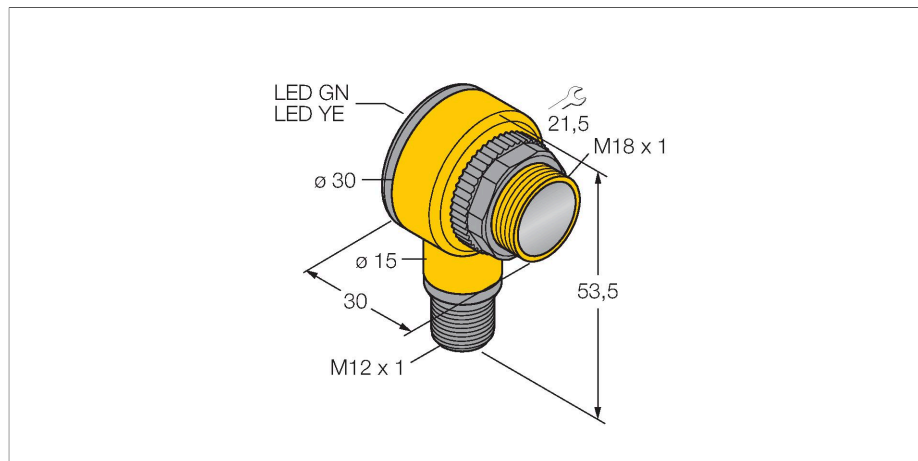


T18RP6LPQ

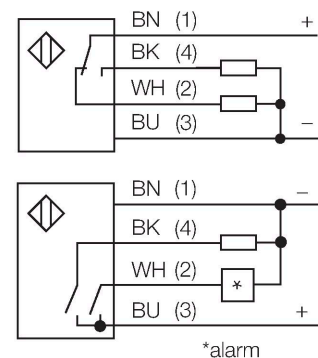
Photoelectric Sensor – Retroreflective Sensor with Polarizing Filter



Features

- M12 × 1 male connector, 4-pin
- Protection classes IP67/IP69K
- Ambient temperature: -40 °C...+70 °C
- Selectable light/dark operation or light operation with alarm function
- Operating voltage: 10...30 VDC
- PNP switching output, changeover

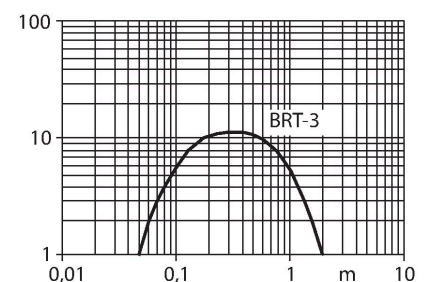
Wiring diagram



Functional principle

Retro-reflective sensors incorporate emitter and receiver in a single compact housing. The light beam of the emitter is directed towards a reflector which returns the light back to the receiver. An object is detected when it interrupts this beam. Retro-reflective sensors have a high function gain and good contrast performance. Further it is merely required to install and wire a single device.

Excess gain curve
Excess gain in relation to the distance



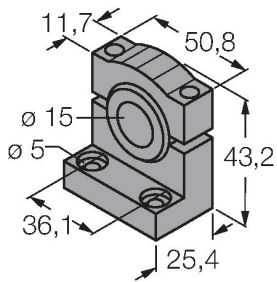
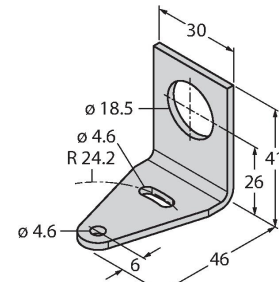
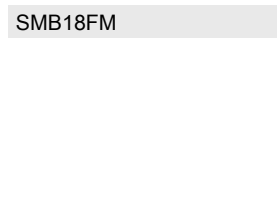
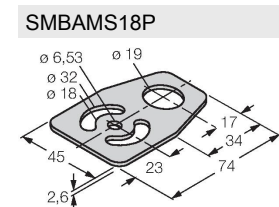
Technical data

Type	T18RP6LPQ
ID	3044387
Optical data	
Function	Retroreflective Sensor
Operating mode	Polarized
Reflector included in delivery	no
Light type	Red polarized
Wavelength	680 nm
Range	50...2000 mm
Electrical data	
Operating voltage	10...30 VDC
No-load current	≤ 30 mA
Short-circuit protection	yes / Cyclic
Reverse polarity protection	yes
Output function	Connection programmable, PNP
Switching frequency	≤ 160 Hz
Readiness delay	≤ 100 ms
Overcurrent release	> 220 mA
Mechanical data	
Design	Tube, T18
Dimensions	30 x 30 x 54 mm
Housing material	Plastic, PBT
Lens	plastic, Acrylic
Electrical connection	Connector, M12 × 1
Ambient temperature	-40...+70 °C
Protection class	IP67

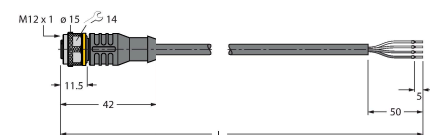
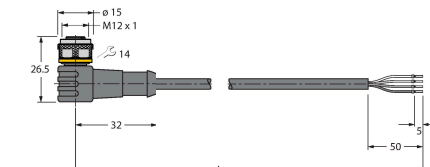
Technical data

	IP69
Special features	Chemical-resistant Encapsulated
Power-on indication	LED, Green
Switching state	LED, Yellow
Error indication	LED, green, Flashing
Alarm display	LED yellow Flashing
Tests/approvals	
Approvals	CE, UL, CSA

Accessories

SMB1815SF  <p>11,7 50,8 43,2 25,4 36,1 ø 5 ø 15</p>	3053279 Mounting bracket, PBT black, for PICO-GUARD points	SMB18A  <p>30 41 26 46 6 ø 18.5 ø 4.6 R 24.2 ø 4.6</p>	3033200 Mounting bracket, rectangular, stainless steel, for sensors with 18 mm thread
SMB18FM 	3079421 mounting bracket, black, M22 x1.5 mm, male thread, female thread M18 x 1, for sensors with 18 mm thread	SMBAMS18P  <p>ø 6,53 ø 32 ø 18 17 34 74 23 45 2,6</p>	3073134 Mounting bracket, stainless steel, for sensors with 18 mm thread

Accessories

Dimension drawing	Type	ID	
 <p>M12 x 1 ø 15 14 11,5 42 L 50 s</p>	RKC4.4T-2/TEL	6625013	Connection cable, female M12, straight, 4-pin, cable length: 2 m, sheath material: PVC, black; cULus approval; other cable lengths and qualities available, see www.turck.com
 <p>ø 15 M12 x 1 14 26,5 32 L 50 s</p>	WKC4.4T-2/TEL	6625025	Connection cable, female M12, angled, 4-pin, cable length: 2 m, sheath material: PVC, black; cULus approval; other cable lengths and qualities available, see www.turck.com

Accessories

Dimension drawing	Type	ID	
	BRT-3	3016164	Round reflector, reflection coefficient 1.0, material acrylic, ambient temperature -20...+60 °C

