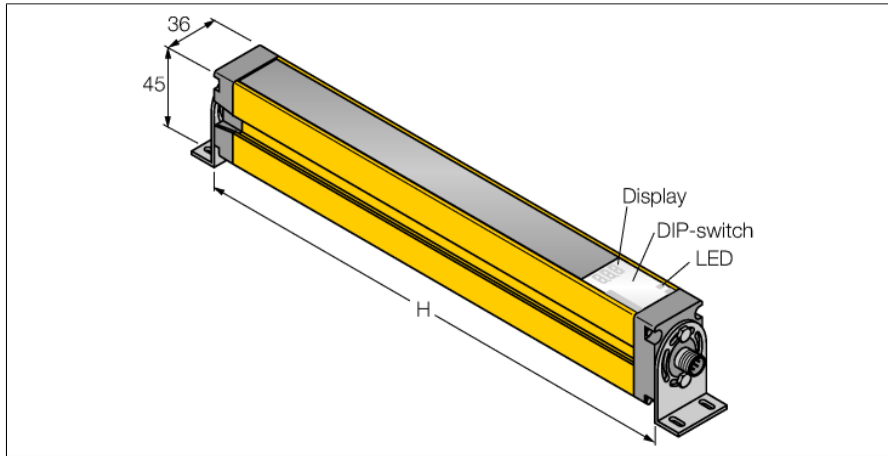


# Safety Light Curtain Emitter SLSE30-300P8



Type	SLSE30-300P8
ID	3073869

Optical data	
Function	Light screen
Light type	IR
Wavelength	950 nm
Optical resolution	30 mm
Range	100...18000 mm
Scan field	300 mm
Number of beams	20
With muting function	No
Scan Code	Adjustable

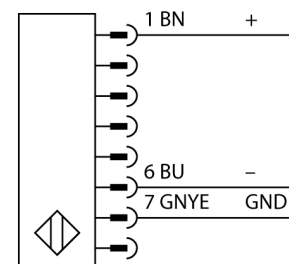
Electrical data	
Operating voltage $U_s$	20...28 VDC
Residual ripple	< 10 % $U_s$
DC rated operating current $I_s$	≤ 100 mA
Short-circuit protection	yes
Reverse polarity protection	yes
Insulation class	III
Response time typical	< 11 ms
With restart interlock	yes
Blanking function	yes

Mechanical data	
Design	Rectangular, EZ-Screen
Housing material	Metal, AL, Yellow polyester
Lens	plastic, Acrylic
Cascadable	No
Electrical connection	Cable with connector, M12 × 1
Number of cores	8
Ambient temperature	0...+50 °C
Protection class	IP65

Power-on indication	LED, Green
---------------------	------------

- M12 × 1 male connector, 8-pin
- Protection class IP65
- Adjustments via DIP switch
- Operating voltage 24 VDC ± 15 %
- Resolution 30 mm
- Scan field 300 mm
- All devices incl. two EZA-MBK-11 mounting brackets; devices with a length of 900 mm or more additionally incl. one EZA-MBK-12

### Wiring Diagram



### Functional principle

The high-resolution safety light curtain consists of an emitter and a receiver. As the system is optically synchronized, no wiring between the emitter and receiver is required. The safety switching outputs of the receiver are directly connected to a load relay and trigger an immediate stop of dangerous machine cycles. Due to the 2-channel monitoring of the switching device and the diverse redundancy of the design, which involves two processors controlling each other mutually, the requirements of personnel safety type 4 acc. to IEC 61496 are fulfilled.

Tests/approvals	
Vibration resistance	10-55 Hz at 0.35 mm
Shock test	10 g at 16 ms (6000 cycles)
Approvals	CE, cULus listed

## Accessories

Type code	Ident no.		Dimension drawing
EZA-MBK-11	3071470	Mounting bracket, steel, black-finished, for EZ-ARRAY and EZ-SCREEN standard and cascade 14 & 30 mm	
EZA-MBK-12	3071756	Mounting bracket, steel, black-finished, for EZ-ARRAY and EZ-SCREEN standard and cascade 14 & 30 mm	
EZA-MBK-20	3072587	Mounting bracket, steel, black-finished, for EZ-ARRAY and EZ-SCREEN standard 14 & 30 mm	