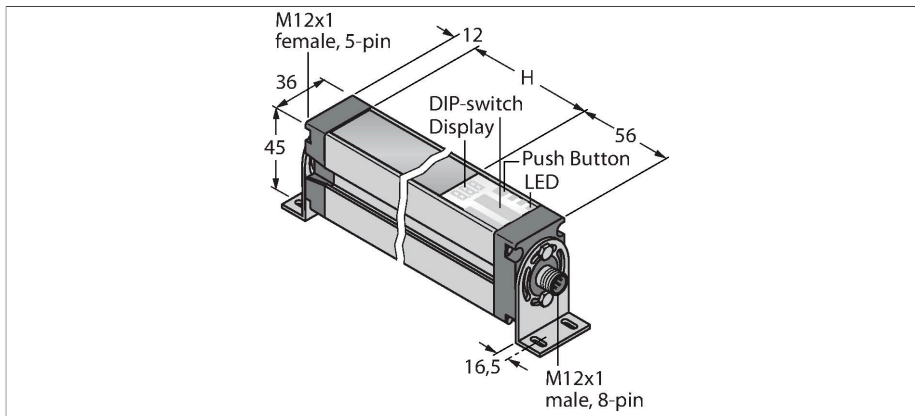


# EA5R1200PUXMODQ

## Measuring Light Screen – Receiver



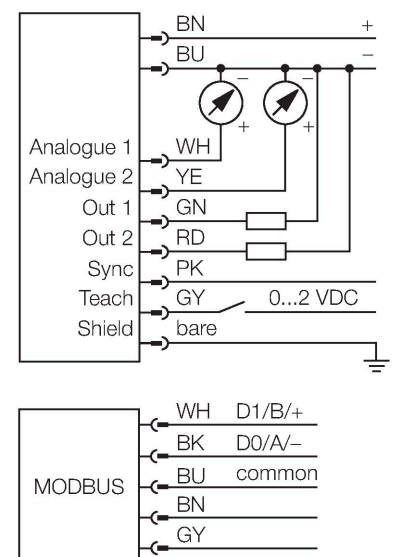
### Technical data

Type	EA5R1200PUXMODQ
ID	3077545
<b>Optical data</b>	
Function	Light screen
Operating mode	Receiver
Optical resolution	5 mm
Range	400...4000 mm
Scan field	1200 mm
Number of beams	240
<b>Electrical data</b>	
Operating voltage	15...30 VDC
DC rated operational current	≤ 375 mA
No-load current	≤ 400 mA
Communication protocol	Modbus RTU RS485
Output function	2 normally open contact, PNP/Analog output
Type of analog output	0...10 V
Voltage output	0...10 V
Load resistance	≥ 2000 Ω
Readiness delay	≤ 2 s
Response time typical	< 17.9 ms
Blanking function	yes
<b>Mechanical data</b>	
Design	Rectangular, EZ-Array
Dimensions	45.2 x 36 x 127.8 mm
Housing material	Metal, AL, Anodized
Lens	plastic, Acrylic
Electrical connection	Connector, M12 × 1

### Features

- Male M12 × 1, 8-pin
- Scan field 1200 mm
- Protection class IP65
- Resolution 5 mm
- Max. range 4 m
- 2 × EZA-MBK-11 brackets included in delivery
- Operating voltage 15...30 VDC
- 2x PNP switching output
- 2 x analog outputs 0...10 V
- Modbus RTU via RS485, female M12 × 1, 5-pin
- Supports baud rates: 9600, 19200, 38400, 57600 and 115200 Bd

### Wiring diagram



**Technical data**

Ambient temperature	-40...+70 °C
Protection class	IP65
Power-on indication	LED, Red
Error indication	LED, red (dual color LED)
Excess gain indication	LED, red
<b>Tests/approvals</b>	
Approvals	CE

**Functional principle**

The measuring light screen EZ-Array is ideal for sizing and product profiling, edge and centre guiding, sag and hole detection as well as parts counting. The two-part light screen is easily installed. The electronics is incorporated in the receiver housing and can be configured via 6 DIP switches. For special functions, the screen can be adjusted via PC with the enclosed software. To synchronize emitter and receiver just interconnect the sync-outputs of both.

**Accessories**

**EZA-MBK-11** 3071470

Mounting bracket, steel, black-finished, for EZ-ARRAY and EZ-SCREEN standard and cascade 14 & 30 mm

**EZA-MBK-12** 3071756

Mounting bracket, steel, black-finished, for EZ-ARRAY and EZ-SCREEN standard and cascade 14 & 30 mm

**EZA-MBK-20** 3072587

Mounting bracket, steel, black-finished, for EZ-ARRAY and EZ-SCREEN standard 14 & 30 mm

**Accessories**

Dimension drawing	Type	ID	
	RKC8T-2/TEL	6625130	Connection cable, M12 female, straight, 8-pin, cable length: 2 m, jacket material: PVC, black; cULus approval; other cable lengths and qualities available, see <a href="http://www.turck.com">www.turck.com</a>
	WKC8T-2/TEL	6625133	Connection cable, M12 female connector, angled, 8-pin, cable length: 2 m, jacket material: PVC, black; cULus approval; other cable lengths and qualities available, see <a href="http://www.turck.com">www.turck.com</a>
	EZA-USB-485-01	3083025	USB-RS485 converter cable, male M12 x 1 on male USB type A

Dimension drawing	Type	ID	
	RKS8T-2/TEL	6625446	Connection cable, M12 female connector, straight, 8-pin, cable length: 2 m, sheath material: PVC, black; shielded; cULus approval; other cable lengths and qualities available, see <a href="http://www.turck.com">www.turck.com</a>
	WKS8T-2/TXL	6625461	Connection cable, M12 female connector, angled, 8-pin shielded, cable length: 2 m, jacket material: PUR, black; cULus approval; other cable lengths and qualities available, see <a href="http://www.turck.com">www.turck.com</a>
	RSS4.5T-2/TEL	6626367	
	RKS4.5T-2-RSS4.5T/TEL	6626388	
	WKS8T-2/TEL	6625449	Connection cable, M12 female connector, angled, 8-pin, cable length: 2 m, sheath material: PVC, black; shielded; cULus approval; other cable lengths and qualities available, see <a href="http://www.turck.com">www.turck.com</a>