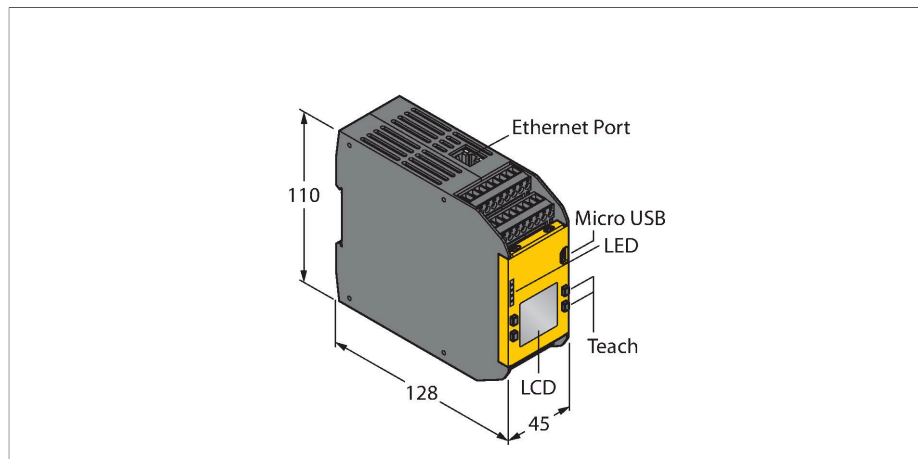


# XS26-2DE

## Safety Technology – Expandable Programmable Safety Controller



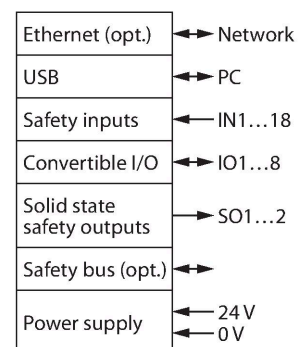
### Features

- PLe acc. to ISO 13849-1
- SIL 3 acc. to IEC 61508 and IEC 62061
- Settings made via pushbutton or software
- Expandable with relays, input and output modules
- 26 inputs, of which 8 can be reconfigured as outputs
- 2 independent safety outputs
- Intuitive programming interface
- Display
- Ethernet connection, up to 64 virtual status outputs can be achieved
- Operating voltage 24 VDC +20%
- Protection class IP20
- Freeware (included in delivery)

### Technical data

Type	XS26-2DE
ID	3085064
Function	Controller
Operating voltage	20...28 VDC
Communication protocol	EtherNet/IP Modbus TCP PCCC PROFINET
Number of safe semiconductor outputs	2
Response time typical	< 10 ms
Design	Rectangular, XS26
Housing material	Plastic
Electrical connection	Removable terminal block, reverse polarity protected, screw connection
Ambient temperature	0...+55 °C
Relative humidity	0...90 %
Protection class	IP20
<b>Tests/approvals</b>	
Approvals	CE, cULus listed

### Wiring diagram



### Functional principle

The safety controller can have multiple safety relay modules for the use of emergency stop switches, door-lock switches, safety light screens, two-hand controls, safety mats and other protective devices.

The safety controller can be configured with the software and automatically generates a wiring diagram and a ladder diagram logic. For the transfer of software created configuration you can either connect a serial USB-cable or an XM-memory card to the the Micro USB port of the controller.

You can display many different events such as the system status, failure diagnosis and configuration overview via the pushbuttons and the LCD panel and also read and write the configuration file via XM memory card.

## Accessories

Dimension drawing	Type	ID	
Kein Maßbild vorhanden/ No dimension drawing available	SC-TC2	3085078	Terminal block with cage clamps; 8 ports
Kein Maßbild vorhanden/ No dimension drawing available	SC-TS2	3085076	Terminal block with cage clamps; 8 ports
Kein Maßbild vorhanden/ No dimension drawing available	SC-XMP2	3029482	Programming adapter

## Accessories

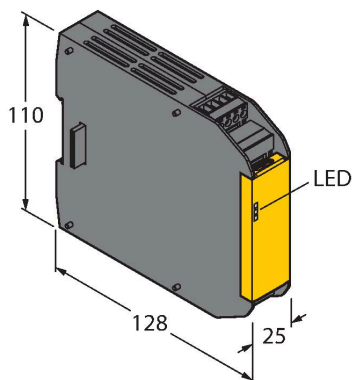
Dimension drawing	Type	ID	
	SC-USB2	3029480	Serial USB cable, type A to Micro-B; length: 1.8m

Kein Maßbild vorhanden/  
No dimension drawing available

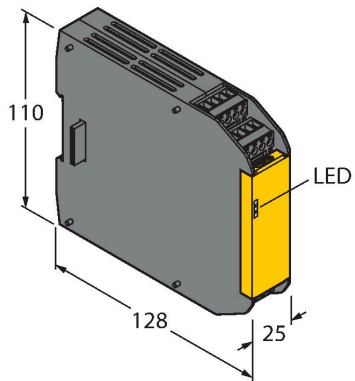
	SC-XM2	3029481	External memory card, Micro-B; EEPROM configuration
--	--------	---------	---

Kein Maßbild vorhanden/  
No dimension drawing available

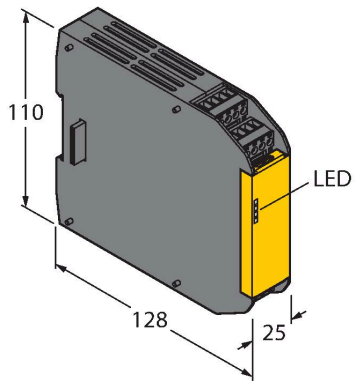
	CD ROM XS26-2 SAFETY CONTROLLER CONFIGUR	3090443	CD-ROM, configuration software, operating instructions;
	XS8SI	3085070	Safety input module (8 inputs)



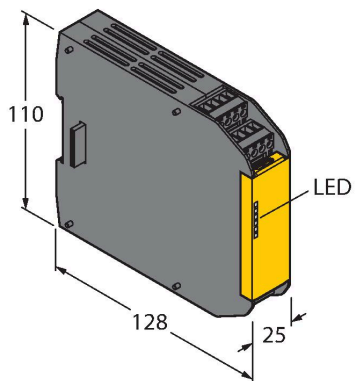
Dimension drawing	Type	ID	
	XS16SI	3085069	Safety input module (16 inputs)



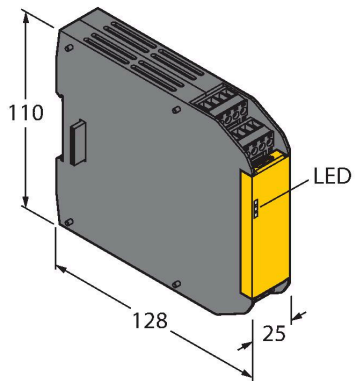
	XS2SO	3085072	Safety output module (2 outputs)
--	-------	---------	----------------------------------



	XS4SO	3085073	Safety output module (4 outputs)
--	-------	---------	----------------------------------



Dimension drawing	Type	ID	
	XS1RO	3085074	2-channel safety relay output (1 output)



	XS2RO	3085075	2-channel safety relay output (2 outputs)
--	-------	---------	---

