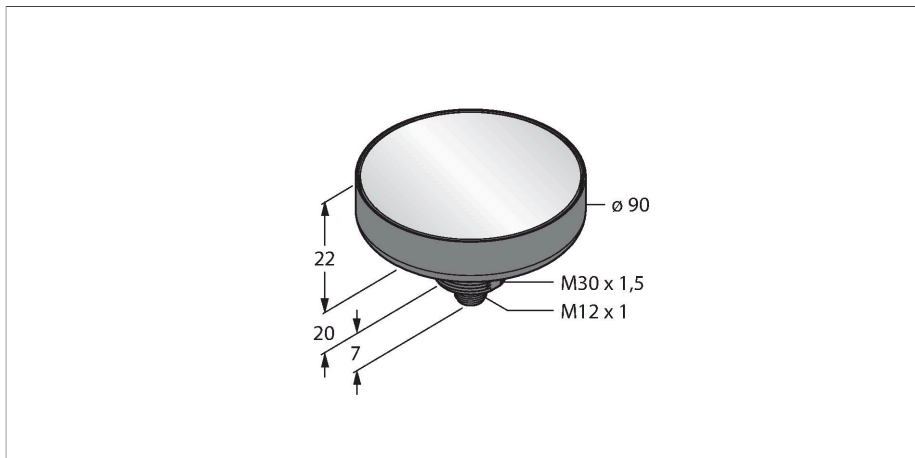


K90FDLGYRPQ

LED Signal Light – Flat Beacon



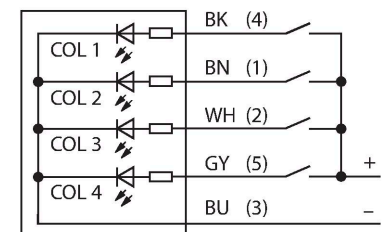
Technical data

Type	K90FDLGYRPQ
ID	3094831
Signal and display data	
Purpose	LED indicator light
Function	Spotlight
Light type	Green Yellow Red
LED service life (L70)	50000 h
Dimmable	No
Features of color 1	Green, Permanently on, 175 lm
Features of color 2	Yellow, 43 lm
Features of color 3	Red, 83 lm
Electrical data	
Operating voltage U_B	12...30 VDC
Max. current consumption per color	475 mA
Input power	5.7 W
Input type	PNP
Response time typical	< 75 ms
Mechanical data	
Cascadable	No
Design	Puck, K90FDL
Dimensions	Ø 90 x 42 mm
Housing material	Plastic, PC
Window material	Polycarbonate, clear
Electrical connection	Connector, M12 × 1, PVC
Number of cores	5

Features

- Daylight bright LED indication
- Protection class IP67
- Mechanical screw-in thread M30 x 1.5
- M12 x 1 male, 5-pin
- Colors: Green (COL 1) / Yellow (COL 2) / Red (COL 3)
- Flashing mode (1.6 Hz) selectable via function input
- Operating voltage: 12...30 VDC
- Individually controllable
- Inputs: PNP

Wiring diagram



Functional principle

The LED display is suitable for industrial use thanks to its rugged design in protection class IP67. The LED display is on during the input signal period. Only one color is lit up at any time. Higher color numbers override lower. COL 3 overrides, for example, COL 1 and 2. If the function input is connected to the supply voltage, the function switches from steady on to flashing.

Technical data

Ambient temperature	-40...+50 °C
Protection class	IP67
Tests/approvals	
Approvals	CE

Accessories

Dimension drawing	Type	ID	
	RKC4.5T-2/TEL	6625016	Connection cable, M12 female connector, straight, 5-pin, cable length: 2 m, jacket material: PVC, black; cULus approval
	WKC4.5T-2/TEL	6625028	Connection cable, M12 female connector, angled, 5-pin, cable length: 2 m, jacket material: PVC, black; cULus approval