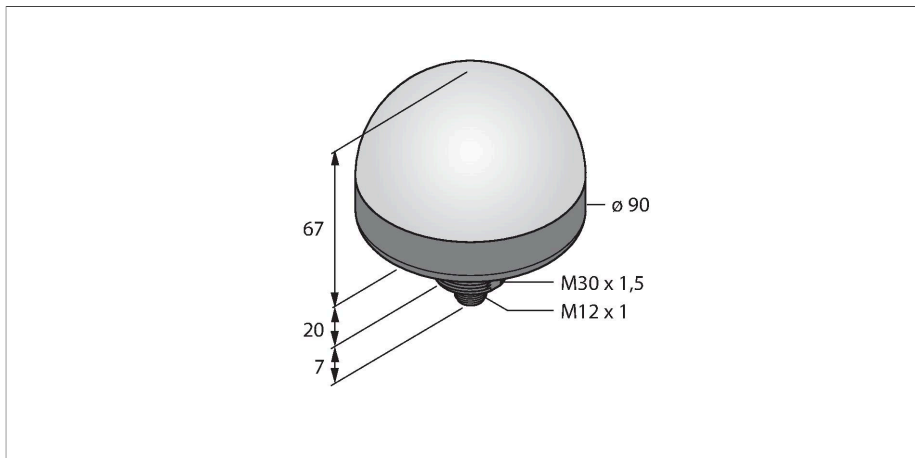


K90LGRBPQ

LED Indicator – Beacon



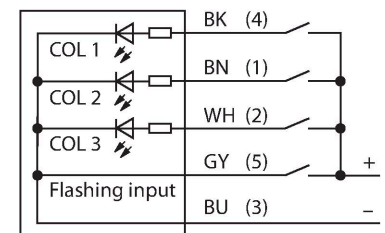
Technical data

Type	K90LGRBPQ
ID	3097120
Signal and display data	
Purpose	LED indicator light
Function	Spotlight
Light type	Green Red Blue
LED service life (L70)	50000 h
Dimmable	No
Features of color 1	Green, Permanently on, 150 lm
Features of color 2	Red, 65 lm
Features of color 3	Blue, 55 lm
Electrical data	
Operating voltage	12...30 VDC
Max. current consumption per color	475 mA
Input power	5.7 W
Input type	PNP
Response time typical	< 75 ms
Mechanical data	
Cascadable	No
Design	Dome, K90L
Dimensions	Ø 90 x 87 mm
Housing material	Plastic, PC
Window material	Polycarbonate, diffuse
Electrical connection	Connector, M12 × 1, PVC
Number of cores	5

Features

- All-round LED display
- Protection class IP67
- Mechanical screw-in thread M30 x 1.5
- M12 x 1 male, 5-pin
- Colors: Green (COL 1), Red (COL 2), Blue (COL 3)
- Flashing mode (1.6 Hz) selectable via function input
- Operating voltage: 12...30 VDC
- Individually controllable
- Inputs: PNP

Wiring diagram



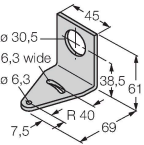
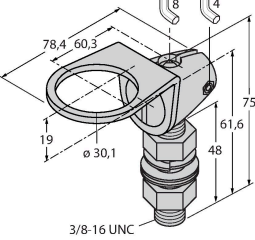
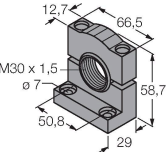
Functional principle

The LED display is suitable for industrial use thanks to its rugged design in protection class IP67. The LED display is on during the input signal period. Only a color at any time lights up. Higher color numbers override lower. COL 3 overrides for example COL 1 and 2. If the function input is connected to the supply voltage, the function switches from steady on to flashing.

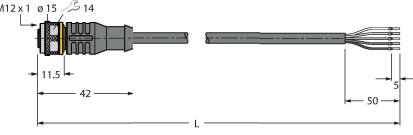
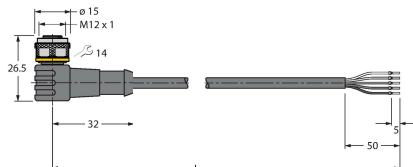
Technical data

Ambient temperature	-40...+50 °C
Protection class	IP67
Tests/approvals	
Approvals	CE, UL listed

Accessories

SMB30A	3032723	Mounting bracket, rectangular, stainless steel, for sensors with 30mm thread	SMB30FA	3074005	Montagewinkel; Werkstoff VA 1.4401
					
SMB30SC	3052521	Mounting bracket, PBT black, for sensors with 30 mm thread, rotatable			
					

Accessories

Dimension drawing	Type	ID	
	RKC4.5T-2/TEL	6625016	Connection cable, M12 female connector, straight, 5-pin, cable length: 2 m, jacket material: PVC, black; cULus approval
	WKC4.5T-2/TEL	6625028	Connection cable, M12 female connector, angled, 5-pin, cable length: 2 m, jacket material: PVC, black; cULus approval