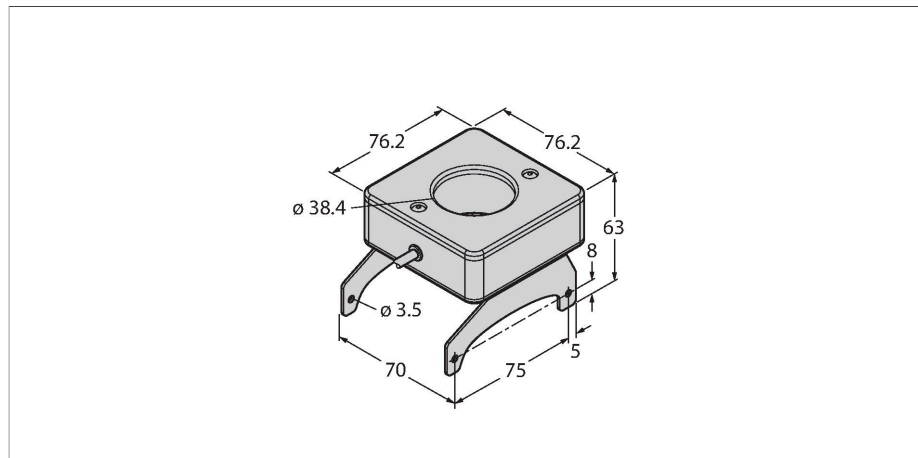


# LEDWRV70XD5-PM

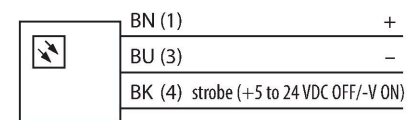
## Vision System – Ring Light



### Features

- Close-range illumination
- Protection class: IP50
- Color: white
- Power Supply: 24 VDC
- Light intensity adjusted via potentiometer

### Wiring diagram



### Technical data

Type	LEDWRV70XD5-PM
ID	3097361
<b>Signal and display data</b>	
Purpose	Image processing
Function	Area light
Light type	White
Color temperature	5000...+8300 K
Dimmable	Potentiometer
Features of color 1	White
<b>Electrical data</b>	
Operating voltage $U_B$	21.6...26.4 VDC
DC rated operating current $I_e$	≤ 350 mA
Max. current consumption per color	350 mA
<b>Mechanical data</b>	
Design	Rectangular
Dimensions	76.2 x 76.2 x 63 mm
Housing material	Metal, AL
Window material	Acrylic
Electrical connection	Cable with connector, M8 × 1, 0.3 m, PVC
Number of cores	3
Ambient temperature	0...+50 °C
Protection class	IP50
<b>Tests/approvals</b>	
Approvals	CE, cULus listed

### Functional principle

Direct mounting on VE smart camera for easy setup. Illumination of objects directly in front of the sensor.