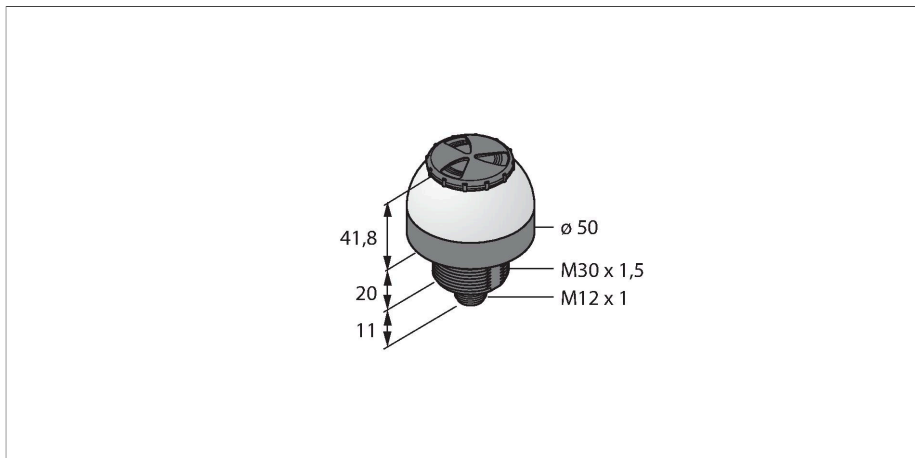


K50L2RGB7ALSQ

LED Signal Light – Beacon with Audible Signal



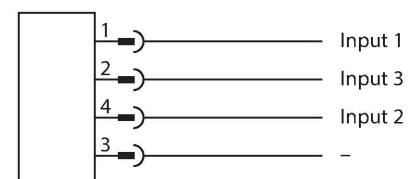
Technical data

Type	K50L2RGB7ALSQ
ID	3802154
Signal and display data	
Purpose	LED indicator light
Function	Spotlight
Light type	RGB
Dimmable	No
Features of color 1	Red, Permanently on, 6.3 lm
Features of color 2	Green, 21.4 lm
Features of color 3	Blue, 4.7 lm
Features of color 4	Yellow, 17.2 lm
Features of color 5	White, 21.3 lm
Features of color 6	Magenta, 8.5 lm
Features of color 7	25.1 lm
Acoustic signal	Continuous tone, 94 dB
Special features	Wash down
Electrical data	
Operating voltage U_b	12...30 VDC
DC rated operating current I_b	≤ 65 mA
Max. current consumption per color	220 mA
Max. current consumption of beeper	220 mA
Input type	Bipolar (PNP/NPN)
Response time typical	< 250 ms
Mechanical data	
Cascadable	No
Design	Dome, K50L
Dimensions	Ø 50 x 73 mm

Features

- LED all-round visible
- Continuous signal: 94dB
- Individually controllable
- Mechanical screw-in thread M30 x 1.5
- Protection class IP67
- In the standard settings, up to seven colors can be displayed in accordance with the logic table (COL 1, COL 2, COL 3, flashing function)
- Can be configured using Pro Editor, can display up to 14 colors, various lighting animations, configurable I/O-block compatibility
- Male M12 x 1, 5-pin
- Operating voltage 12...30 VDC

Wiring diagram



Functional principle

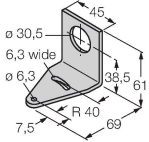
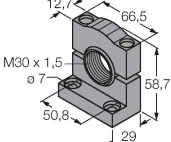
The LED is IP67 / IP69k rated and qualified for indoor and outdoor applications. Depending on the connection, one of the two colors lights steady for the duration of a PNP input signal.

	R	Y	G	T	B	M	W
COL1	x	x				x	x
COL2		x	x	x			x
COL3				x	x	x	x

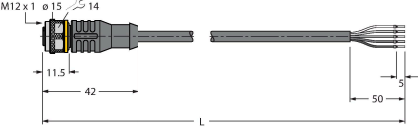
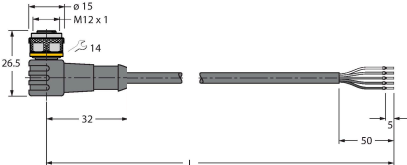
Technical data

Housing material	Plastic, PC, Black
Window material	Polycarbonate, diffuse
Electrical connection	Connector, M12 × 1, PVC
Number of cores	5
Ambient temperature	-20...+50 °C
Relative humidity	0...90 %
Protection class	IP66 IP67 IP69
Tests/approvals	
Approvals	CE, UL listed

Accessories

SMB30A	3032723	SMB30SC	3052521
 <p>Mounting bracket, rectangular, stainless steel, for sensors with 30mm thread</p>		 <p>Mounting bracket, PBT black, for sensors with 30 mm thread, rotatable</p>	

Accessories

Dimension drawing	Type	ID	
	RKC4.5T-2/TEL	6625016	Connection cable, M12 female connector, straight, 5-pin, cable length: 2 m, jacket material: PVC, black; cULus approval
	WKC4.5T-2/TEL	6625028	Connection cable, M12 female connector, angled, 5-pin, cable length: 2 m, jacket material: PVC, black; cULus approval