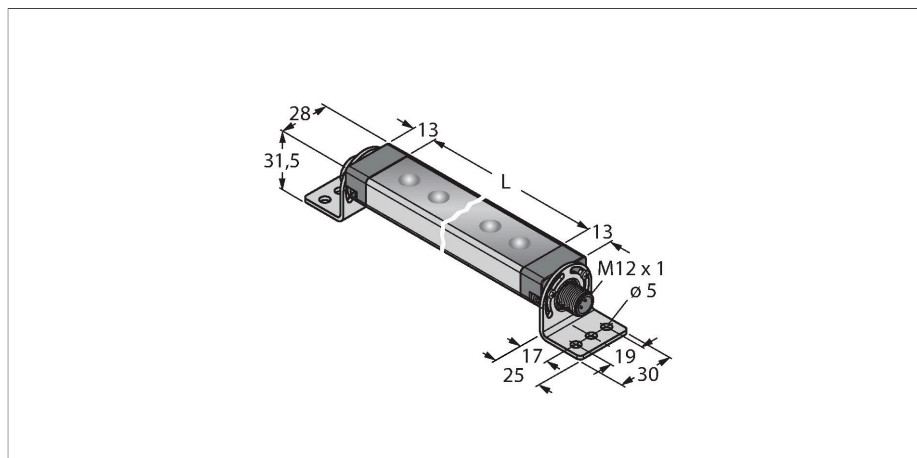


# WLS28PXRGBW430DXQ

## LED Linear Light – In the Metal Housing



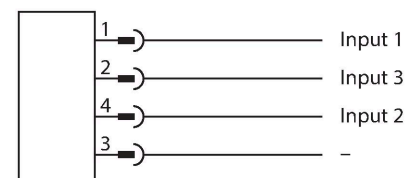
### Technical data

Type	WLS28PXRGBW430DXQ
ID	3810989
<b>Signal and display data</b>	
Purpose	LED work light
Function	Linear light
Light type	RGB
Luminous flux lumen	975 lm
Aperture angle degree	60 °
Beam angle	wide beam 40-80°
LED service life (L70)	50000 h
Dimmable	Programmable
Features of color 1	RGBW
Special features	I/O module-compatible
<b>Electrical data</b>	
Operating voltage $U_B$	18...30 VDC
DC rated operating current $I_o$	≤ 1010 mA
Input power	12.12 W
Communication protocol	BannerBus (Pro Editor compatible)
Response time typical	< 300 ms
<b>Mechanical data</b>	
Cascadable	No
Design	Rectangular, WLS28-2
Dimensions	468 x 28 x 21 mm
Housing material	Metal, AL
Window material	Polycarbonate, diffuse
Electrical connection	Connector, M12 × 1
Number of cores	4

### Features

- Light beam: 430mm
- Operating voltage: 12...30 VDC
- Protection class: IP50
- RGB LEDs
- Multicolor linear light
- Parameterization via Pro Editor software
- SMBWLS28RA mounting bracket included in delivery

### Wiring diagram



### Functional principle

These lights have RGB LEDs. Three input signals enable one of seven predefined light colors or light animations to be controlled when using the standard settings. The logic table shows which input needs to be connected:

- State 1 = white
  - State 2 = green
  - State 3 = red
  - State 4 = yellow
  - State 5 = blue stands out, background white
  - State 6 = white, ends flashing red
  - State 7 = warm white
- Using the Pro Editor software, these lights can be user defined in the advanced settings.

## Technical data

Ambient temperature	-40...+50 °C
Storage temperature	-40...+70 °C
Relative humidity	0...90 %
Protection class	IP50
<b>Tests/approvals</b>	
Approvals	CE, UL

	Input 1	Input 2	Input 3
State 1	x		
State 2		x	
State 3			x
State 4	x	x	
State 5	x		x
State 6		x	x
State 7	x	x	x

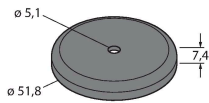
Light Length	Typical Current			Maximum Current
	18 VDC	25 VDC	30 VDC	A
145 mm	0.240	0.180	0.150	0.275
285 mm	0.480	0.360	0.300	0.550
430 mm	0.720	0.540	0.450	0.825
570 mm	0.960	0.720	0.600	1.100
850 mm	1.440	1.080	0.900	1.650
1130 mm	1.920	1.440	1.200	2.200

## Accessories

SMBWLSMAG

3019574

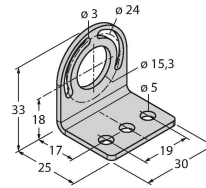
Magnetic fixture for mounting work lights and sensors, 2 pieces



SMBWLS28RA

3015764

Mounting bracket, angled, metal, for WLS28 work lights, 5 mm drill holes, screw set included



SMBWLS28SP

3088063

Snap bracket for mounting WLS28 work lights

