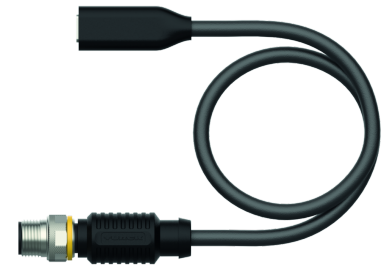
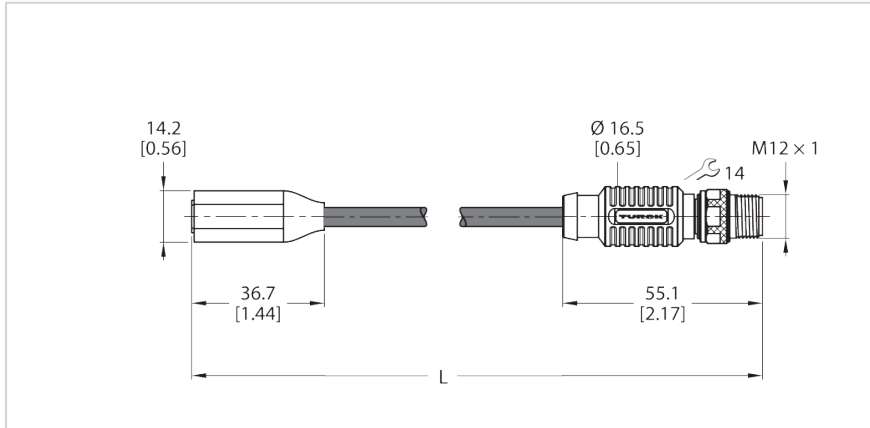


AD-USBCK-0.5-RSC4.072T/DC-DC-5V

Industrial DC Charging Cable

M12 to USB

Extension Cable



Typ	AD-USBCK-0.5-RSC4.072T/DC-DC-5V
Ident-No.	6637490

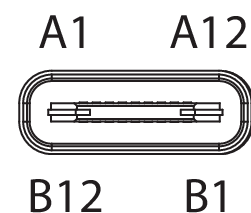
Technical data

Electrical data	
Current	0,8 A
Rated voltage	24 V _{DC}
Connector A	
Connector A	Female, USB, Straight
Number of Pins	2
Contacts	Brass, CuZn, Gold-plated
Contact carriers	Plastic, LCP GF30
Connector body	Plastic, PVC, Black
Protection class	IP20, (plugged)
Connector B	
Connector B	Male, M12 × 1, Straight, A-coded
Number of pins	3
Contacts	Brass, CuZn, Gold-plated
Contact carriers	Plastic, TPU, Black
Connector body	Plastic, TPU, Black
Coupling nut/retaining screw	Brass, CuZn, Nickel-plated

Features

- USB-C female connector, straight, 24-pin
- Male M12, straight, 3-pin
- Jacket material: PVC
- Jacket color: black
- Protection class: IP67 (M12); IP20 (USB)
- USB output: 5 VDC, 3 A, 15 W/9 VDC, 1.6 A, 15 W
- Cable length: 0.5 m

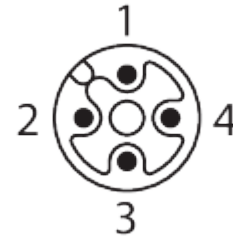
Connector A



Technical data

Mechanical life	>100 Steckzyklen
Pollution degree	3
Protection class	IP67, (Screwed together)
Cable	
Cable diameter	5,5 mm ±0.20
Cable length	0,5 m
Cable jacket	PVC, Black
Core insulation	PVC
Core cross-section	4 x 0,08 mm ²
Core cross-section	2 x 0,5 mm ²
Environmental conditions	
Ambient temperature (mobile)	-25...+70 °C
Ambient temperature (fixed)	-40...+70 °C
Comments	
Packaging unit	1

Connector B



Circuit Diagram

