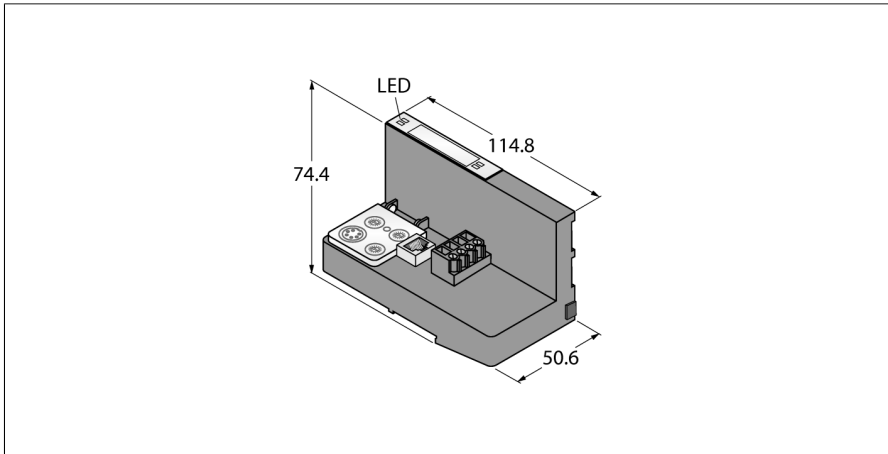


CODESYS 2 Programmable Gateway for the BL20 I/O System Interface for Modbus TCP BL20-PG-EN-DN-JA



- Rotary coding switch to adjust the node address
- Protection class IP20
- 2 x end brackets BL20-WEW35/2-SW
- 1 x end plate BL20-ABPL
- Integrated power supply
- LEDs for display of supply voltage, group and bus errors

Functional principle

The programmable BL20 gateways can be used as an autonomous PLC or as a decentral PLC in a network interconnection for fast signal preprocessing.

BL20 gateways are the head component of a BL20 station. The BL20 extension modules communicate over the internal module bus with the gateway and can be configured independently of the fieldbus protocol.

Type	BL20-PG-EN-DN-JA
ID	6827309
Supply voltage	24 VDC
System power supply	24 VDC / 5 VDC
Field supply	24 VDC
Admissible range	18...30 VDC
Max. field supply current	10 A
Max. system supply current	1.2 A
Voltage supply connection	Screw terminals
Fieldbus addressing	2 rotary switches
Fieldbus connection technology	RJ45 port
PLC data	
Released for CODESYS version	V 2.3.9.35
Programming languages	IEC 61131-3 (IL, LD, FBD, SFC, ST)
Application tasks	1
Number of POU's	1024
Programming interface	RS232 interface, Ethernet
Processor	RISC, 32 Bit
Cycle time	< 1 ms for 1000 IL commands (without I/O cycle)
Program memory	512 kByte
Data memory	512 kByte
Input data	4 kByte
Output data	4 kByte
Non-volatile memory	16 kByte
Transmission rate	10/100 Mbps; full/half duplex; auto negotiation; auto crossing
Service interface	PS/2 socket

Dimensions (W x L x H)	50.6 x 114.8 x 74.4 mm
Approvals	CE, cULus
Ambient temperature	0...+55 °C
Storage temperature	-25...+85 °C
Relative humidity	15...95 %, no condensation allowed
Vibration test	Acc. to EN 61131
Shock test	Acc. to IEC 60068-2-27
Drop and topple	Acc. to IEC 60068-2-31
Electromagnetic compatibility	Acc. to EN 61131-2
Protection class	IP20
Included in delivery	2 x end brackets BL20-WEW-35/2-SW, 1 x end plate BL20-ABPL