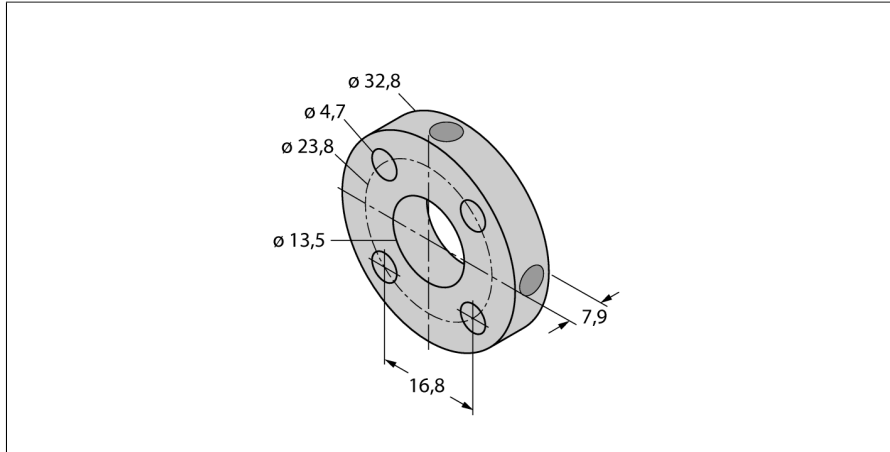


Accessories

Positioning Element

For LTX Linear Position Sensors

STM-AL-R10



- Standard 4-hole magnet
- Material: Aluminum

Type	STM-AL-R10
ID	6900409