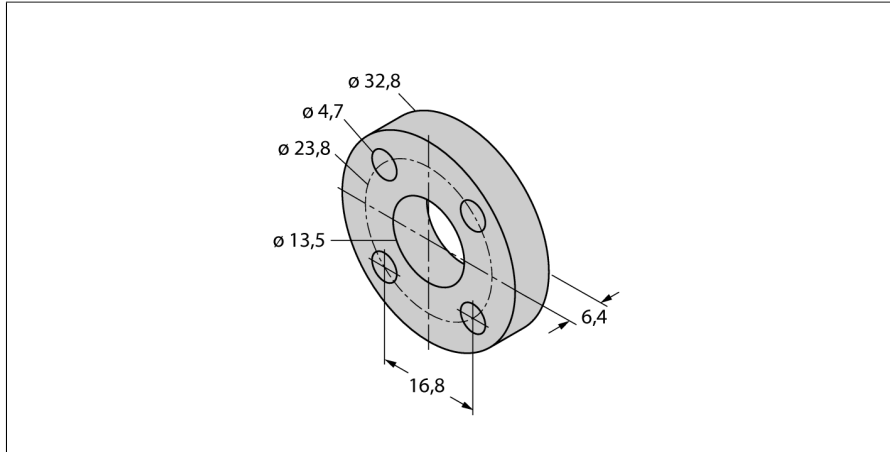


Accessories

Spacer

For LTX Linear Position Sensors

STS-R10



- Standard spacer made of non-ferrous material for separating the positioning element from the base of the hydraulic piston rod

Type	STS-R10
ID	6900411