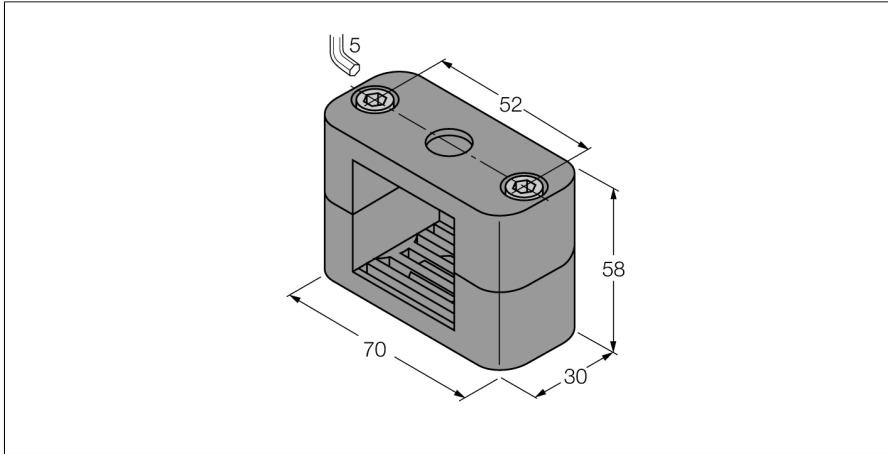


Accessories

Mounting Clamp

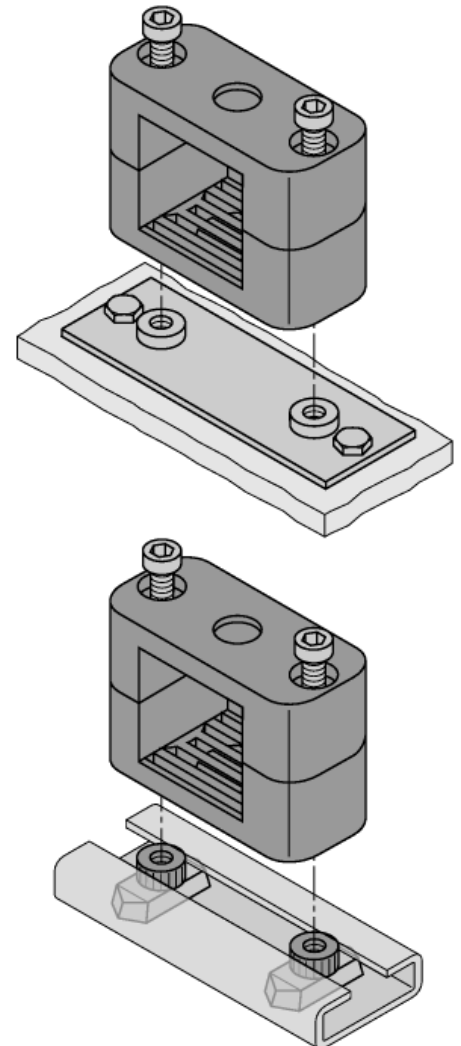
BSS-CP40



- Mounting clamps for 40 x 40 mm sensors
- Plastic, polypropylene

General description

The portfolio consists of two half-shells and two Allen screws each. Optionally welding plates with additional drilling holes can be used. Matching DIN rail nuts are available for the mounting of DIN rails.



Type	BSS-CP40
ID	6901318
Design	Accessories for rectangular sensor, CP40
Dimensions	30 x 69.5 x 57 mm
Housing material	Plastic, PP, Green
Max. tightening torque of housing nut	1 Nm
Included in delivery	2 x Allen screws, M6

Accessories

Type code	Ident no.		Dimension drawing
BSS-SPV5	6901324	Weld-on plate for BSS mounting brackets	
BSS-TSM 2 pcs	6901323	DIN rail nut for BSS and BSM mounting clips, for mounting on DIN rails	