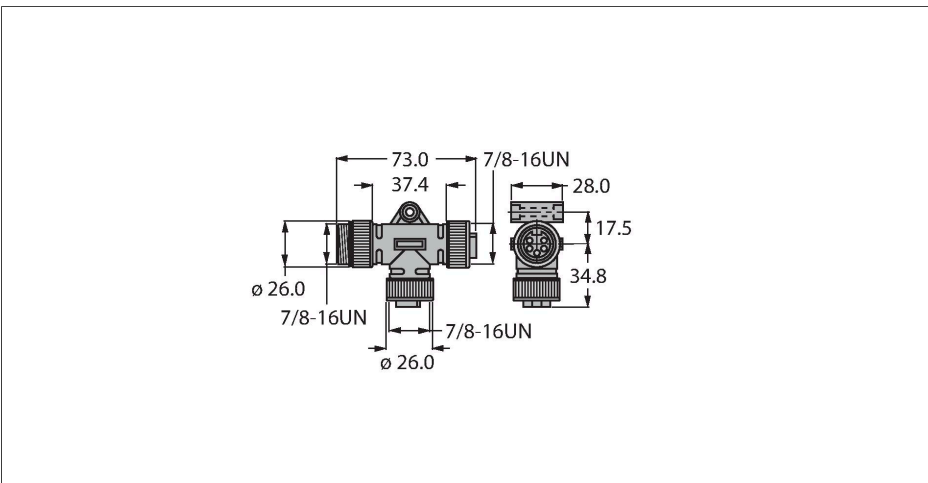


RSM-2RKM50

2-Way Splitter – T-Splitter without Cable



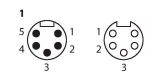
Features



- 7/8" T-splitter
- 5-pin
- 1x male connector
- 2x female connector

Contact assignment

Connector A

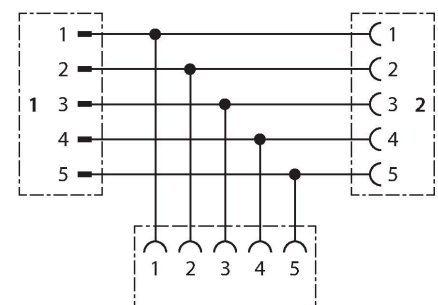


Connector B (J1-2)

Technical data

Type	RSM-2RKM50
ID	6914950
Distributed I/O	T-splitter
Housing	Plastic, TPU, Black
Connector A	Male, 7/8"-16 UN, A-coded
Number of Pins	5
Contacts	Brass, CuZn, Gold-plated
Contact carriers	Plastic, TPU, Black
Coupling nut/screw	Brass, CuZn, Nickel-plated
Mechanical lifespan	> 100 Mating cycles
Pollution degree	3
Protection class	IP67, Only in screwed condition
Connector B	2 x Female, 7/8"-16 UN, A-coded
Number of pins	4
Contacts	Brass, CuZn, Gold-plated
Contact carriers	Plastic, TPU, Yellow
Coupling nut/retaining screw	Brass, CuZn, Nickel-plated
Seal	Plastic
Mechanical life	> 100 Mating cycles
Pollution degree	3
Protection class	IP67, Only when screwed together
Network protocol	DeviceNet CANopen
Electrical properties at +20 °C	
Rated voltage	250 V
Current	9 A
Insulation resistance	≥ 10 ⁸ Ω

Circuit Diagram



Technical data

forward resistance	$\leq 5 \text{ m}\Omega$
--------------------	--------------------------

Ambient temperature range (stationary)	-30...+90 °C
--	--------------

Ambient temperature range (In motion)	-40...+80 °C
---------------------------------------	--------------
