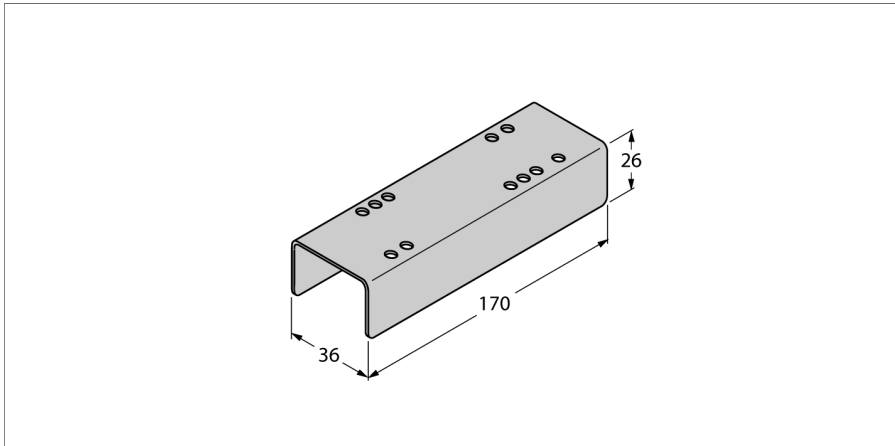


**Protective housing  
For mounting in zone 2  
IMC-SG**



**Protective housing  
For mounting in zone 2  
IMC-SG**

**Dimensions**

Type code	IMC-SG
Ident no.	7560016
Weight	174 g

