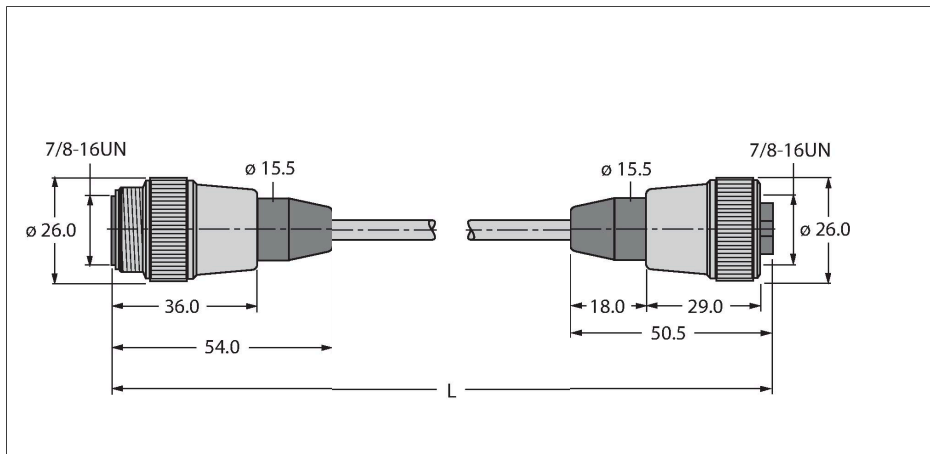


RSM 40 RKM 50-2M/BL67

Industrial Power Cable – Extension Cable



Features

- 7/8" male connector, straight, 4-pin
- 7/8" female connector, straight, 5-pin
- 7/8" female, straight
- Jacket material: PVC
- Jacket color: yellow
- Protection class IP67
- Cable length: 2.0 m

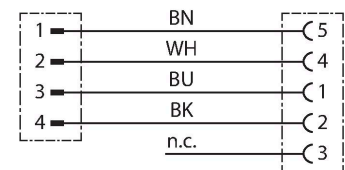
Contact assignment



Technical data

Type	RSM 40 RKM 50-2M/BL67
ID	U-19553
Connector A	Male, 7/8"-16 UN, Straight
Number of Pins	4
Contacts	Metal, CuZn, Gold-plated
Contact carriers	Plastic, TPU, Yellow
Connector body	Plastic, TPU, Yellow
Coupling nut/screw	Brass, CuZn, Nickel-plated
Mechanical lifespan	> 100 Mating cycles
Pollution degree	3
Protection class	IP67, Only in screwed condition
Connector B	Female, 7/8"-16 UN, Straight
Number of pins	5
Contacts	Metal, CuZn, Gold-plated
Contact carriers	Plastic, TPU, Yellow
Connector body	Plastic, TPU, Yellow
Coupling nut/retaining screw	Brass, CuZn, Nickel-plated
Mechanical life	> 100 Mating cycles
Pollution degree	3
Protection class	IP67, Only when screwed together
Cable	
Cable diameter	±0.30
Cable length	2 m
Cable jacket	PVC, Yellow
Core insulation	PVC
Core cross-section	4 x 0.82 mm ²
Arrangement of strands	19 x 0.15 mm

Circuit Diagram



Technical data

Core colors	BN, WH, BU, BK
Electrical properties at +20 °C	
Rated voltage	600 V
Test voltage	1500 V
Current	9 A
Insulation resistance	> 0.02 MΩ/km
forward resistance	max. 57 Ω/km
Mechanical and chemical properties	
Bending radius (flexible use)	≥ 10 x Ø
Ambient temperature range (stationary)	-40...+105 °C
Other Features	
Approvals	CE RoHS UL Listed UL 2238
Note	
	- We reserve the right to make technical modifications without prior notice.