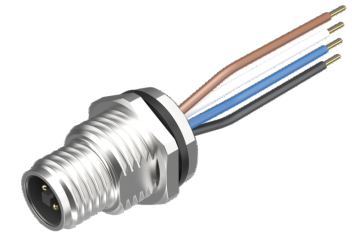
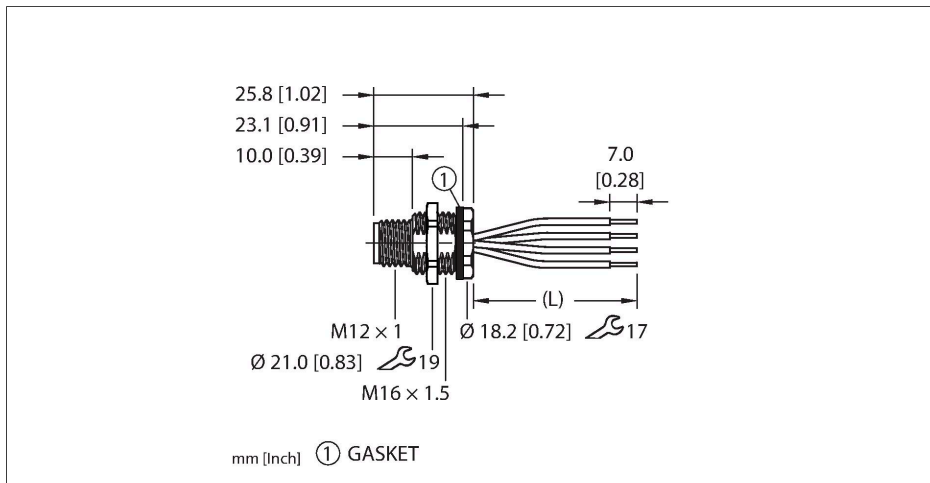


FSFD46PT-1/M16

M12 Power Flange – Rear-mounted



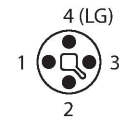
Features



- M12 male connector, T-coded, 4-pin
- Screw-in thread: M16 × 1.5

Contact assignment

Connector A



Circuit Diagram



Technical data

Type	FSFD46PT-1/M16
ID	U2-28486
Connector A	Male, M12 × 1, T-coded
Design specification	acc. to IEC 61076-2-111
Number of pins	4
Contacts	Brass, CuZn, Gold-plated
Contact carriers	Plastic, PA, Black
Flange housing	Brass, CuZn, Nickel-plated
Tightening torque (range)	0.4 ... 1 Nm (observe max. torque of mating connector!)
Mounting type	backplane mounting
Screw-in thread seal	Gasket, Rubber, NBR
Screw-in thread	M16 × 1.5
Lock nut/screw	BrassCuZnNickel-plated
Flange tightening torque	2.5...7.3 Nm
Mechanical lifespan	> 100 Mating cycles
Pollution degree	3
Protection class	IP67, IP68
	NEMA: 1, 3, 4, 6P
Conductor data	
Number of cores	4
Cable length	1 m, (+ 50 mm or 4 % of the length/-0.0, depending on which value is larger)
Conductor material	TC (tinned copper)
Core insulation	PVC
Core cross-section	4 x 16 AWG [Similar to 1.50 mm ²]
Core colors	BN, WH, BU, BK

Technical data

Electrical properties at +20 °C

Rated voltage	63 V
Current	12 A

Mechanical and chemical properties

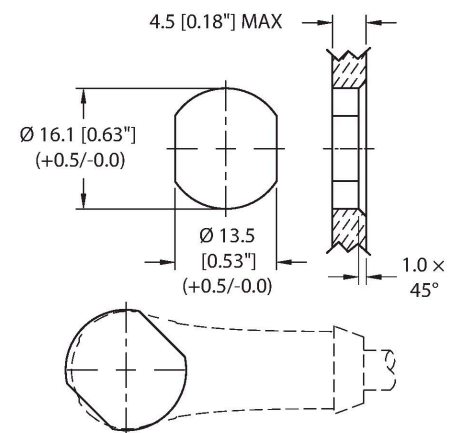
Ambient temperature (fixed)	-40...+85 °C
Approvals	cULus recognized

Note

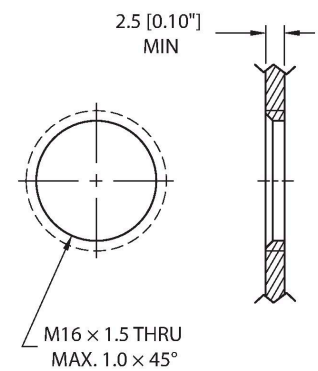
**CAUTION: RISK OF ELECTRIC SHOCK!
DO NOT DISCONNECT UNDER LOAD!**

- We reserve the right to make technical modifications without prior notice.

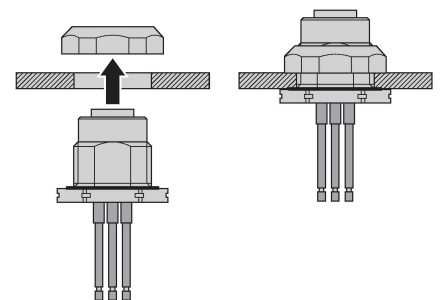
Through bore



Threaded bore



Rear-mounted



Derating curve

