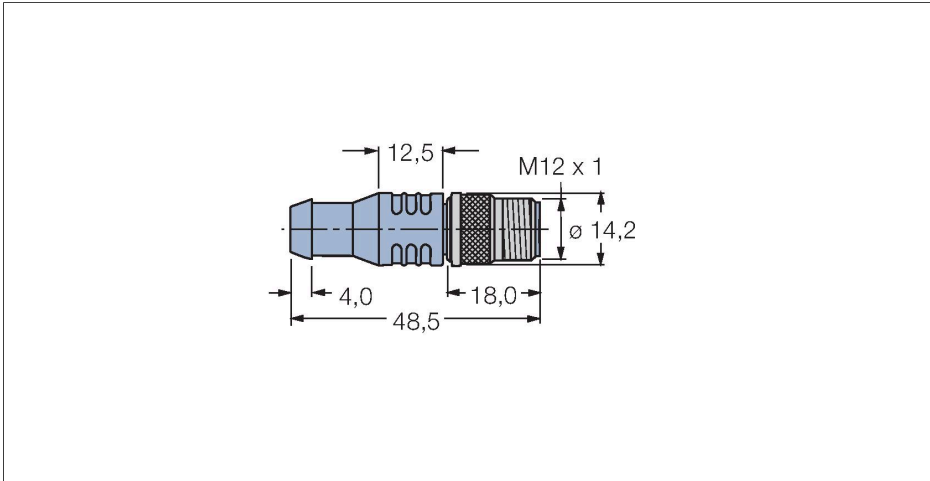


# RSE 57-TR2

## Bus Terminating Resistor



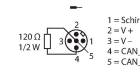
### Technical data

Type	RSE 57-TR2
ID	U2251-1
Connector A	Male, M12 × 1, Straight
Number of pins	5
Contacts	Brass, CuZn, Gold-plated
Contact carriers	Plastic, TPU, Blue
Connector body	Plastic, TPU, Blue
Coupling nut/screw	Brass, CuZn, Nickel-plated
Protection class	IP68, IP69K, (screwed together)
	NEMA: 1, 3, 4, 6P
Network protocol	DeviceNet CANopen
Rated voltage	10...30 VDC
Mechanical and chemical properties	
Ambient temperature (fixed)	-40...+80 °C

### Features

- Type: M12 × 1 male connector, 5-pin
- For use in CAN (DeviceNet™, CANopen) applications
- Rated voltage: 10...30 VDC (max. 7.6 VDC on pins with resistor)
- Internal resistor 120 Ω, 1/2 W
- Protection class: NEMA 1, 3, 4, 6P and IEC IP68, IP69K
- Temperature range: -40 °C...+80 °C

### Headline Wiring Diagram



### Circuit Diagram

